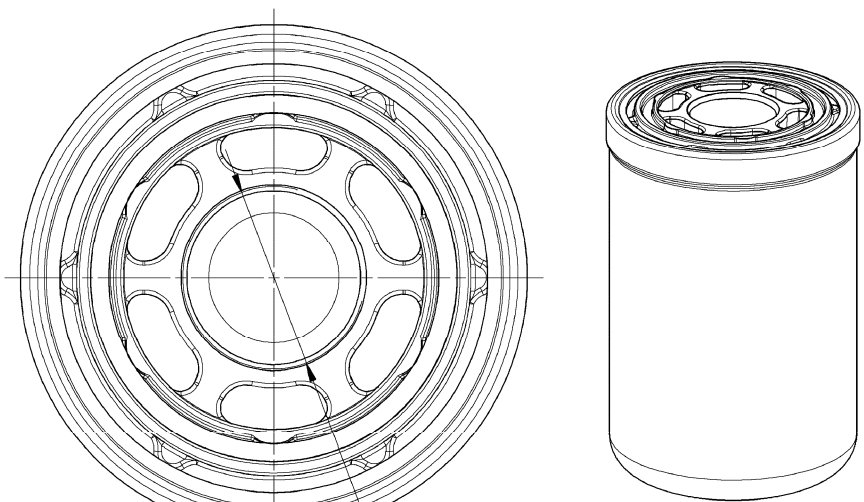
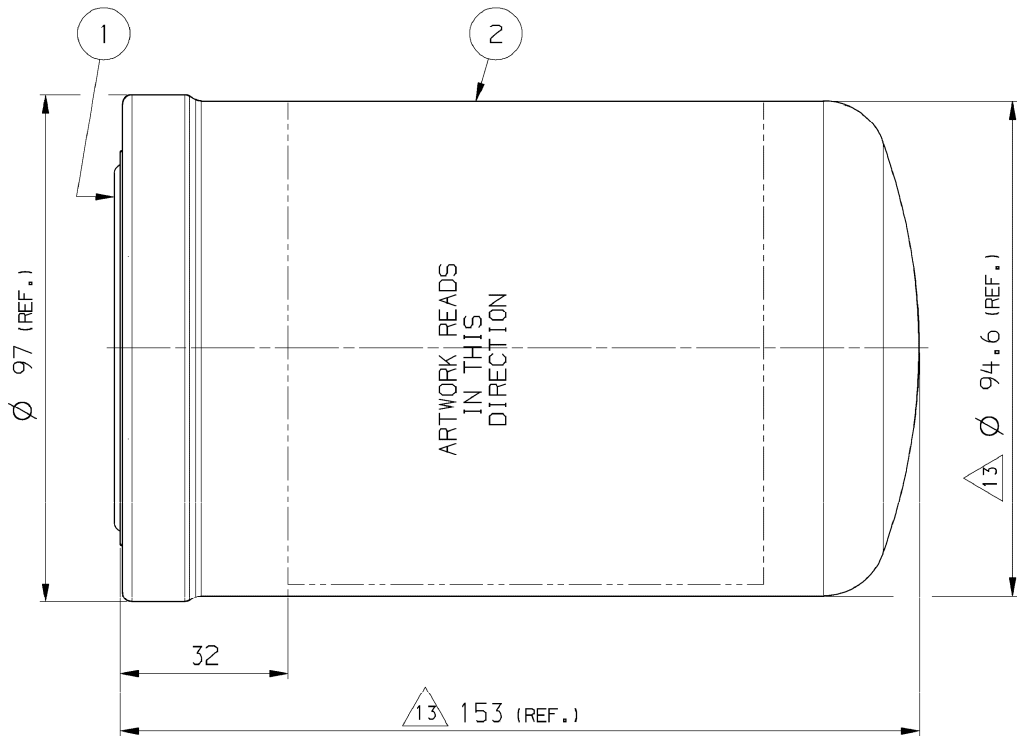


THIS DOCUMENT CONTAINS INFORMATION THAT IS CONFIDENTIAL AND/OR PROPRIETARY TO DONALDSON COMPANY, INC. ALL RIGHTS TO DISCLOSE, COPY, REPRODUCE, MANUFACTURE FROM OR DISPOSE OF THIS DOCUMENT OR ITS CONTENTS ARE RESERVED UNLESS SPECIFIED IN WRITING BY DONALDSON.



SCALE 1:2

1 3/8 -12 UNF-2B (REF.)

NOTE:  $\triangle 13$

TECHNICAL DATA:  $\triangle 13$

- AVG. FILTRATION EFFICIENCY PER ISO 16889:
  - $\beta_{9 \mu m(c)} \geq 200$
  - $\beta_{11 \mu m(c)} \geq 1000$
- MAX OPERATING PRESSURE: 3450 kPa (34.5 bar)
- COLLAPSE RESISTANCE: 2000 kPa (20 bar) PER ISO 2941
- STATIC SPIN-ON BURST RESISTANCE AT 6900 kPa (69 bar)
- FLOW RATE: 110 l/min
- FLOW DIRECTION: OUTSIDE-INSIDE
- OPERATING TEMPERATURE RANGE: -20° C +120° C
- COMPATIBILITY VERSUS OIL PETROLEUM BASED FLUIDS PER ISO 2943

- SPIN-ON ASSEMBLY PER EN0406004
- SEE "P164375 ARTW" IMAGE FILE FOR IDENTIFICATION GRAPHICS
- (REF.) VALUE: REFERENCE DIMENSION PER EN0237000 USED FOR INFORMATION ONLY. IT DOES NOT GOVERN PRODUCTION OR INSPECTION OPERATIONS AND IS DERIVED FROM OTHER VALUES SHOWN ON THE DRAWING OR ON RELATED DRAWINGS
- "UN-UNC-UNF" (UNIFIED NATIONAL USA THD) ACCORDING TO ANSI/ASME B1.1

ITEM	QTY	PART NO.	DESCRIPTION
1	1	P163101	O-RING
2	1	E780369	SPIN-ON ASSY K405 BASE MODEL

MATERIAL: SEE ITEM REL. DATE: _____ EXP. NR: - NPP-EWR NR: -		RELEASE NR: 1997C1011 TITLE: HYDR. FILTER ASSY SPIN-ON	UG/ CADD																		
REF. N°: K405 USED ON: _____		DR. FR: 08/11/95 CHK. MS: 08/09/99 DESIGN APP. AS	NUMBER: P164375 REVISION: 13																		
GENERAL TOLERANCES: <table border="1"> <tr> <td>&lt;</td> <td>6</td> <td>±0.2</td> </tr> <tr> <td>6</td> <td>30</td> <td>±0.3</td> </tr> <tr> <td>30</td> <td>120</td> <td>±0.5</td> </tr> <tr> <td>120</td> <td>300</td> <td>±0.7</td> </tr> <tr> <td>300</td> <td>1000</td> <td>±1.0</td> </tr> <tr> <td>&gt;</td> <td>1000</td> <td>±1.2</td> </tr> </table> ANGLES: ±1°		<	6	±0.2	6	30	±0.3	30	120	±0.5	120	300	±0.7	300	1000	±1.0	>	1000	±1.2	FIRST ANGLE PROJECTION	SCALE: 1:1 SHEET: 1 OF 1 SIZE: A3
<	6	±0.2																			
6	30	±0.3																			
30	120	±0.5																			
120	300	±0.7																			
300	1000	±1.0																			
>	1000	±1.2																			
$\triangle$ DENOTES REVISION DO NOT SCALE		DESIGN CONTROL: A002 DRWG LOCATION: C000	VERSION C COPYRIGHT © DONALDSON COMPANY, INC.																		

DR.	REV.	ZONE	ECO NUMBER	REVISIONS	APP.	DATE
MB	13		2014C00004	REPLACE BASE MODEL E779968 WITH E780369; UPDATE NOTE, TECHNICAL DATA AND DIMENSIONS		29/07/13
MB	12		2010C1113	REPLACE MEDIA ASSY P765632 WITH P766115; UPDATE NOTE		12/01/10
FM	11		2009C1106	SYNTHED XP10 INTRODUCTION		21/05/09

REDRAW